



SWG - 28

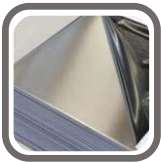
MOTORIZED SWING GATE
BI DIRECTIONAL

Your gate to protection...

Motorized Bi-directional Swing Gates are provides an alternative to regulate pedestrian traffic. Thanks to its compact design and 90 cm arm length which is compatible with international wheelchair standards, SWG - 28 is an ideal solution to provide controlled passage for VIP and physically handicapped people.

Swing Gates are applicable in shopping malls, supermarkets, fitness/wellness centers with its aesthetic and user friendly design.

Design



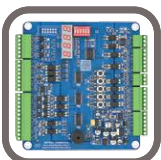
- Turnstile main body is manufactured from 304 grade stainless steel and turnstile arm is manufactured from aluminium.
- Stain case design with smoothed corner.
- All other parts in turnstile are electro-galvanized against corrosion.

Safety



- Electrical and mechanical safety is provided in the turnstile.
- Heavy duty mechanics, controlled by reliable electronics ensure a long product life with minimum maintenance requirement.

Integration



- Easy integration with all access control equipment through functional electronic control board
(For example: RFID Device, Button Control, Remote Control, Sensor)





Main Body

Material	AISI- 304 - Stainless Steel - Scotch Brite (Op. AISI-316 Quality)
Arms	Aluminium
Rotor Systems	With rotating control; arms are positioned at 90 degrees
Rotation Control	Self centering and smooth operation is handled by means of spring and hydraulic damping mechanism
Standard Dimensions (W x L x H)	28 x 45 x 97 cm
Standard Passageway Width	900 mm (Arm Length : 850 mm)

304



24V DC



Electrical Parameters

Operating Voltage	110 / 220 - 240V AC 50/60 Hz (+/- %10) - 24V DC (Max 30W)
Nominal / Max Current	250Ma / 850 Ma
Power Consumption	30 W
Mean Cycles Between Failure (MCBF)	1M Cycles



24V DC



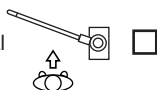
Function Working

Control Systems	All inputs are opto-coupler protected. Controlled by dry contact or grounding input. Compatible with all access control systems that provide dry contact or grounding outputs
Speed Control	Motor start and stop control is maintained by PWM microprocessor control system.
Passage Direction	Bi-Directional operation feature. Entrance-Exit
Time out Delay	Adjustable ; Operating Modes (7 - 14 - 21 second)
Flow Rate	30 Passage / Minutes / Normally Standard
Emergency Mode	System allows free passage in emergency mode and in case of power failure
Operating Temperature	-20° C / + 50° C
Operating Humidity	0 / + 45° C (RH 95% not-condensing)
IP Rating	IP - 54
Working Environment	Indoor
Indicators Features	Entrance - Green Arrow / Exit - Red Cross

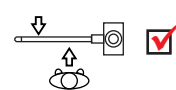


Operation

Uni-directional



Bi-directional



Optional Accessories

Remote Control, Button Control, Separator, Floor Mounting Plate



Optional Available Signals



"Pass"



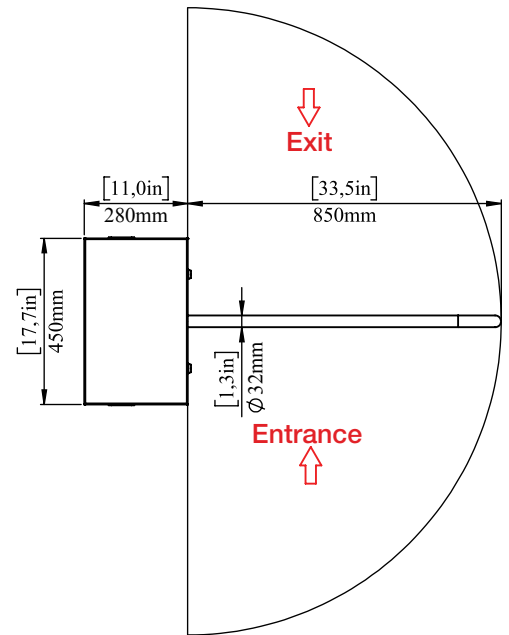
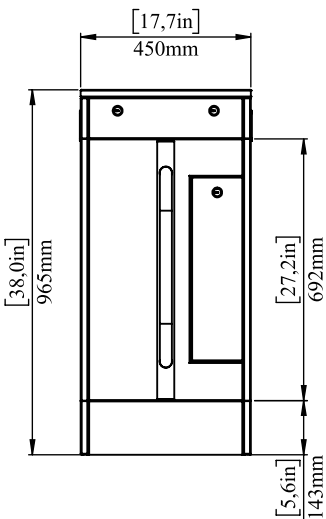
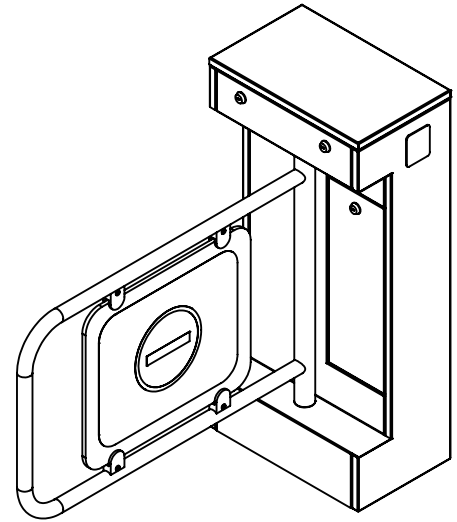
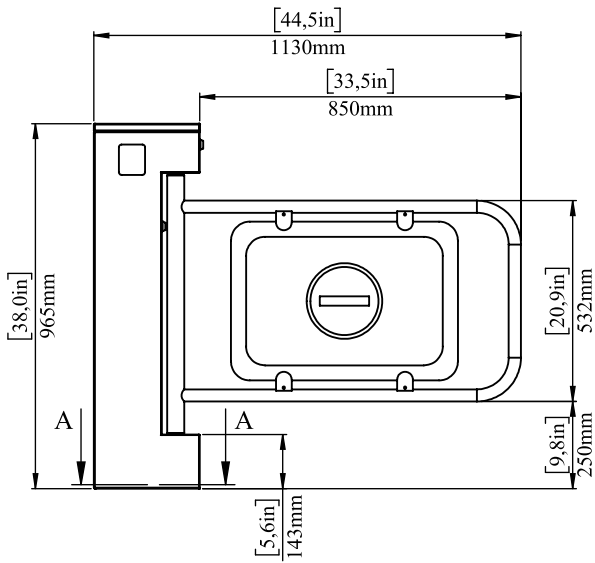
"Stop"



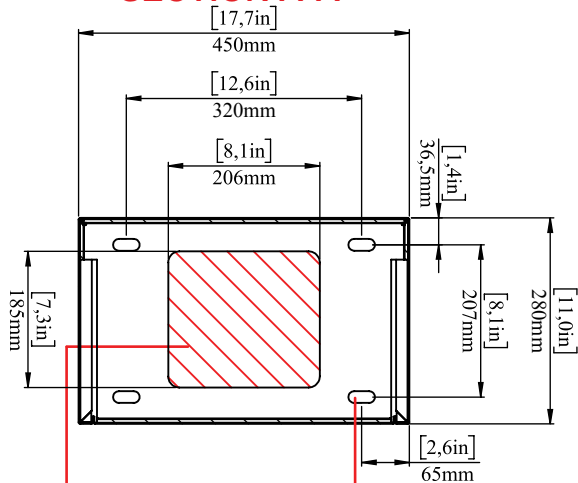
"Disabled"



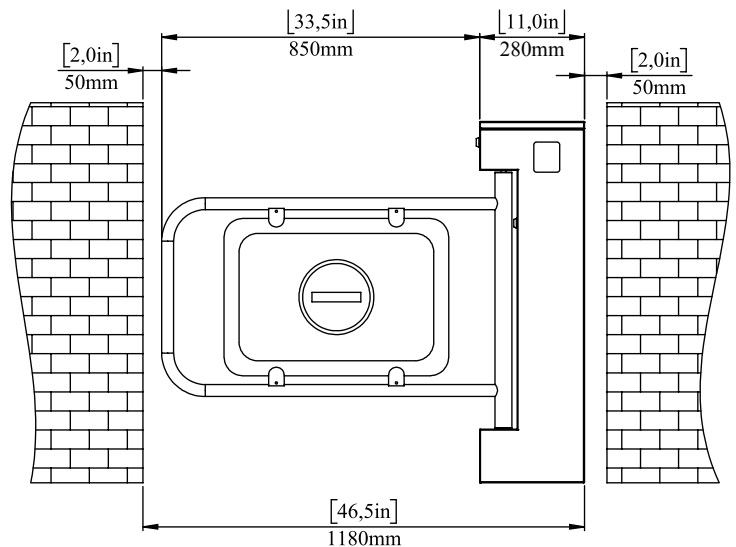
"Emergency"

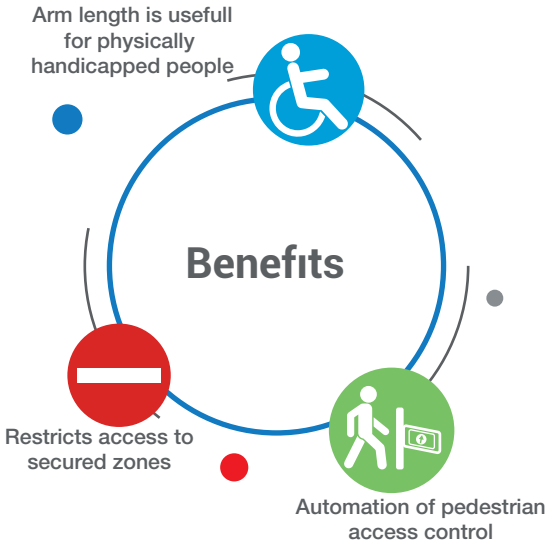
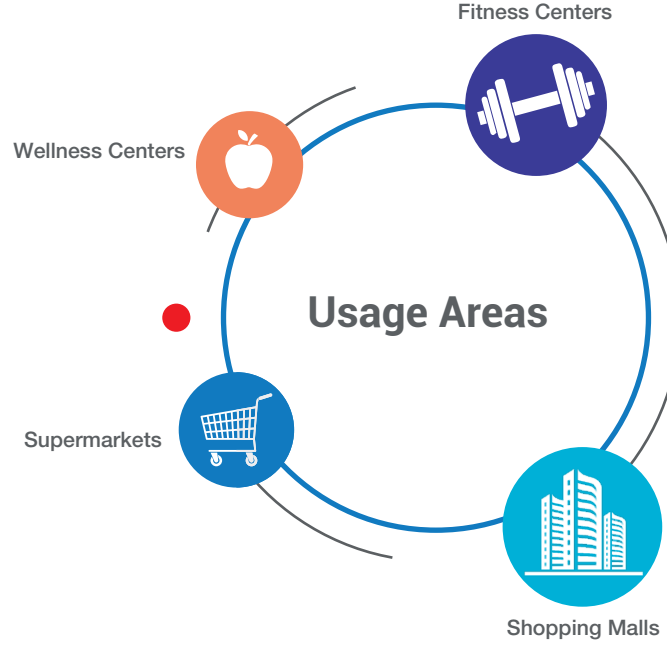


SECTION A-A



Cable Access 3x0.75 mm²
Ground Mounting Holes M10x4





Factory

Ivedik OSB Agac Isleri San. Sit. 1333.Cad. No:25 Ostim - Yenimahalle
ANKARA - TURKEY

+90 312 395 02 88

+90 312 395 02 70

Branch

Perpa Ticaret Merkezi A Blok - Kat:7-8 No:758 Sisli - ISTANBUL - TURKEY

+90 212 320 69 79

+90 212 320 69 79

www.aktuelturnike.com

export@aktuelturnike.com.tr

Local Reseller

--