



## SWG - 11

### LEAF SWING GATE

### MANUALLY LOCKED

Your gate to protection...

#### General Features

Leaf Swing Gates are provides an economic alternative to regulate pedestrian traffic. Thanks to its compact design, SWG - 11 is an ideal solution to provide controlled passage for pedestrians and carrying goods. With keyed manual lock allows one-way access. Works with thrust. It is opened by pushing by hand and then the transition is made, with the spring system the arm comes back into place and closes.

Aesthetic and user-friendly design can be applied in shopping malls, supermarkets, fitness and wellness centers. It has an original structure with decorative exterior appearance, soft and quiet transition.

#### Technical Specifications

- Turnstile main body is manufactured from 304 grade stainless steel and turnstile arm is manufactured from aluminium.
- With rotating control; arms are positioned at 90 degrees.
- Auto close; arm will return to center position automatically
- A manual controlled door module is formed with mechanical lock on the arm counter.
- All other parts are coated against corrosion.
- Arm lengths can be shortened optionally.
- Standard Dimensions: 102 x Ø76 x 450 - 900 ( Arm Length )

#### Optional Available Signals

- "Pass", "Stop", "Disabled", "Emergency" signs optionally made to the middle plate within the arm.



"Pass"



"Stop"

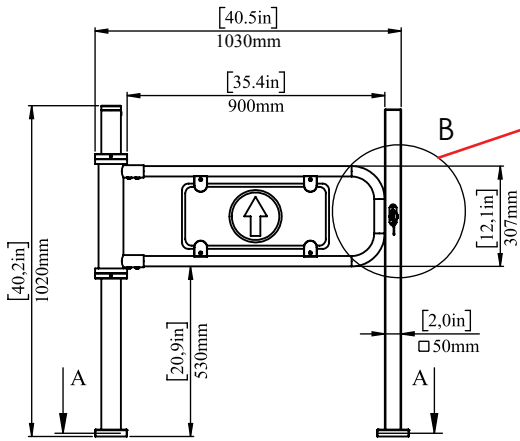


"Disabled"

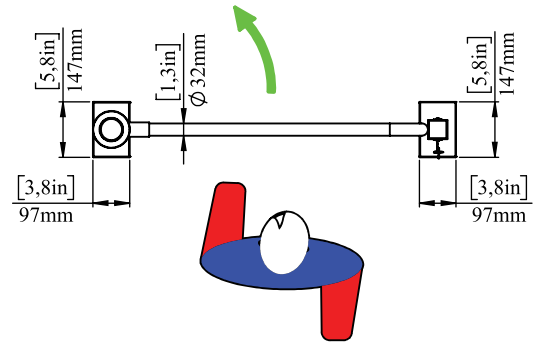
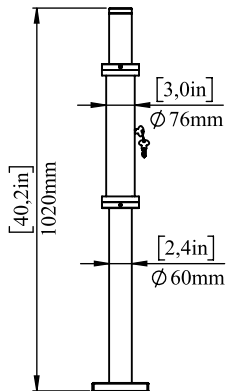
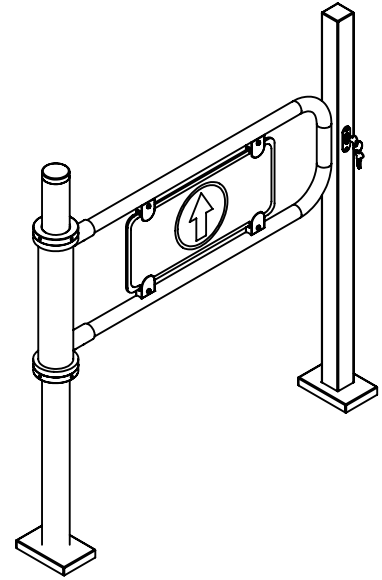
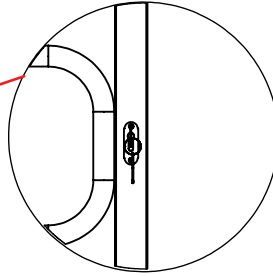


"Emergency"

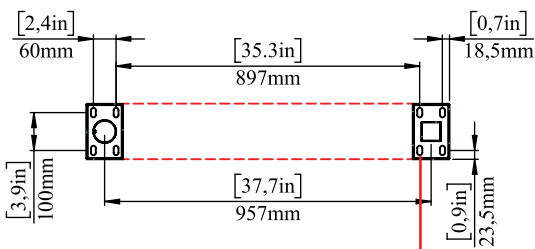




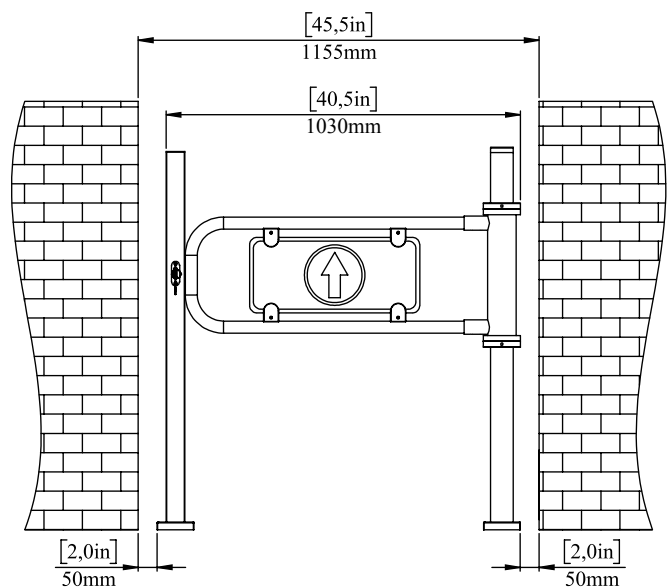
**DETAIL B**

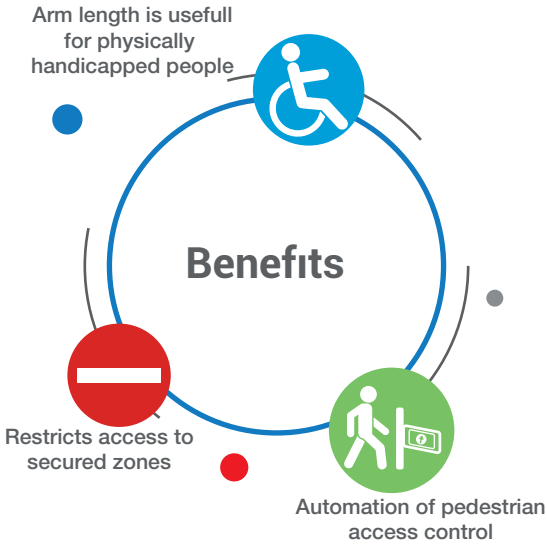
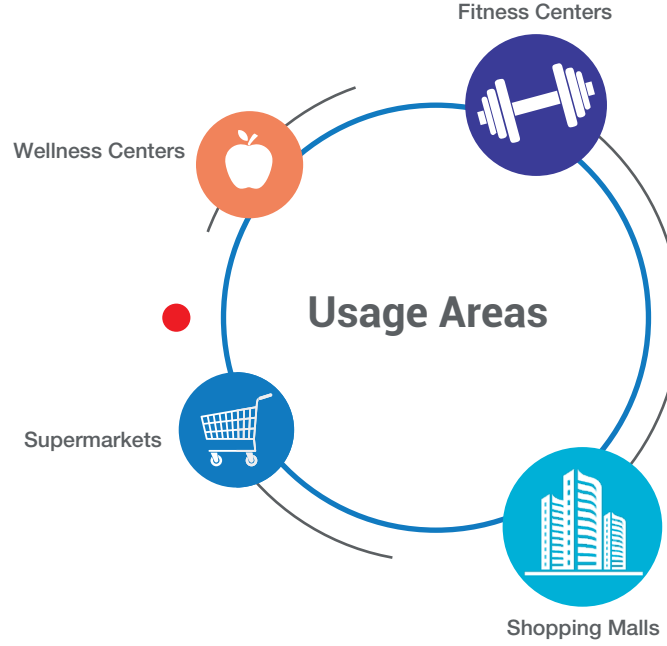


**SECTION A-A**



**Ground Mounting Holes  
M10x8**





### Factory

Ivedik OSB Agac Isleri San. Sit. 1333.Cad. No:25 Ostim - Yenimahalle  
ANKARA - TURKEY

+90 312 395 02 88

+90 312 395 02 70

### Branch

Perpa Ticaret Merkezi A Blok - Kat:7-8 No:758 Sisli - ISTANBUL - TURKEY

+90 212 320 69 79

+90 212 320 69 79

www.aktuelturnike.com

export@aktuelturnike.com.tr

### Local Reseller

--