



SPEED GATE TURNSTILE

HG - 145 - H | HG - 145 - D

SERIES

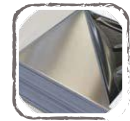
Your gate to protection...

HG-145 Series are durable products that can be used indoors. Provides access and access control in areas requiring moderate security. With its compact design, it provides the perfect solution for assembly areas where aesthetics and elegance are important.

Barrier arm movement is provided by the Brushless DC motor with PLC control. Five optical sensors in the turnstile provide control of access control scenarios. Speed Gate Turnstiles are suitable for intensive use. It is the perfect solution when architectural design, aesthetics and transition speed are important.

Design

- ▶ The main body of the turnstile is made of 304 stainless steel and the wings are made of 15mm plexiglass material.
- ▶ Stain case design with smoothened corner.
- ▶ All other parts in turnstile are electro-galvanized against corrosion.



Safety

- ▶ Obstacle movement of the wings is provided by PLC controlled "Brushless DC Motor".
- ▶ Heavy duty mechanics, controlled by reliable electronics ensure a long product life with minimum maintenance requirement.



Integration

- ▶ Easy integration with all access control equipment through functional electronic control board (For example: RFID Device, Button Control, Finger Print and Biometric Device)



HG - 145 - H

Single Wing

- ▶ Turnstile main body is 304 stainless steel.
- ▶ It provides 550mm wide passage with standard wing.
- ▶ The top cover is made of black glass with 10mm tamper.



HG - 145 - D





Double Wing

- ▶ Turnstile main body is 304 stainless steel.
- ▶ It provides two 550 mm wide transition areas with corresponding standard wings.
- ▶ The top cover is made of black glass with 10mm tamper.




Technical Specifications





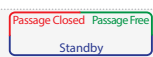



Main Body

Material	AISI- 304 - Stainless Steel - Scotch Brite	
Standard Dimensions (W x L x H)	30 x 145 x 97 cm	
Wings	15 mm plexiglass (Opt. Logo Printing)	
Standard Passageway Width	550 mm (Passage Area : 225 mm + 100 mm + 225 mm)	
Top Cover	10 mm tempered glass (Upper surface of plexiglass)	

Electrical Parameters

Operating Voltage	110 - 240V AC 50/60 Hz (+/- %10)	
Nominal / Max Current	300 mA / 1500 mA	
Power Consumption	100 W	
Mean Cycles Between Failure (MCBF)	15 M Cycles	100 W

Function Working

Control Systems	All inputs are opto-coupler protected. Controlled by dry contact or grounding input. Compatible with all access control systems that provide dry contact or grounding outputs	
Output Data (Feedback)	The systems provides dry contact, NO - Normally Open, entry - exit passage feedback by relays	
Movement Mechanism	Brushless DC Motor	
Gate Open / Close Rate	0,3 - 1 second	
Electronic Control Unit	PLC control unit	
Time out Delay	Adjustable ; Operating Modes (7 - 14 - 21 second)	
Flow Rate	20 Passage / Minutes / Normally Standard	
Working Environment	Indoor	
Side Led Stripes	Passage Free - Green / Passage Closed - Red / Standby - Blue	
Communication	RS 232 (Need PC Systems hardware serial port)	
Operating Temperature	-20° C / + 68° C	
Operating Humidity	0 / + 45° C (RH 95% not-condensing)	
IP Rating	44	
Passage Direction	Bi-Directional operation feature. Entrance-Exit	

Number of Passage Lanes

Single Unit



Double Unit

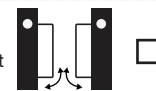


Wing Movement















Wings Retracting into Body Fan Movement System



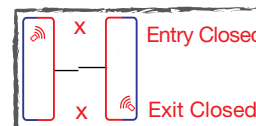
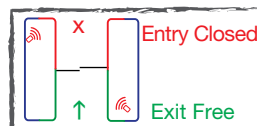
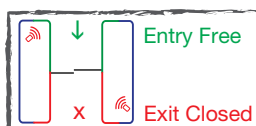
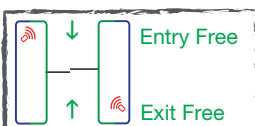
Wings Retracting into Body Linear Movement System



Access Specifications

550 mm												<ul style="list-style-type: none">  Passage Available  Passage have some Limitations  Passage Not Available
--------	---	---	---	---	---	---	---	---	---	---	---	---

Operation Modes



Logo Printing



- ▶ Personalized graphics engraving with laser on obstacles are provided on demand.

Installation Platform



- ▶ Ease of modular installation with anti-skid bottom platform.
- ▶ Front and rear ramp system for easy access.
- ▶ Ease of transportation with forklift unit.

Button Control Unit - Independent

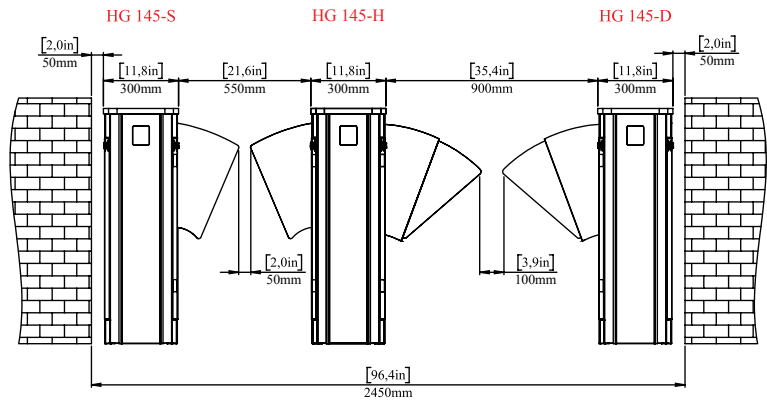
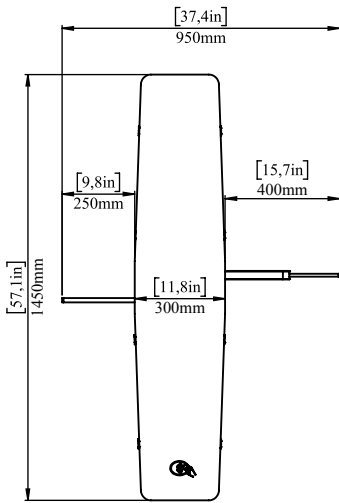
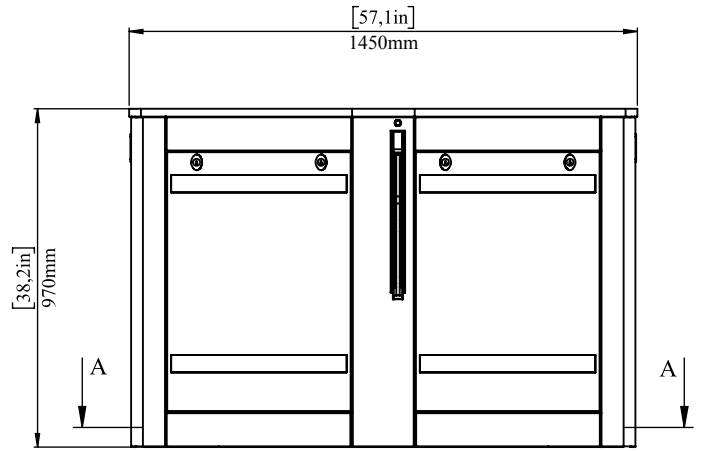
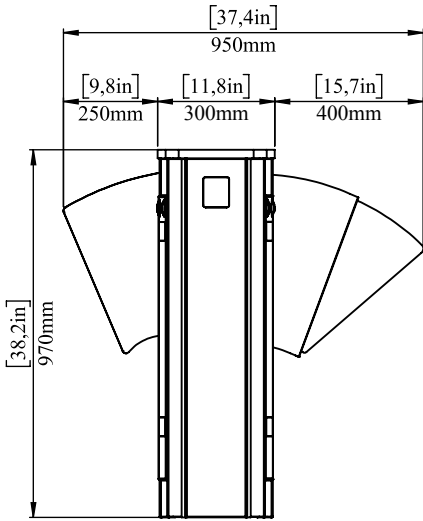


- ▶ BT-1 and BT-2 type options, usually used in security booths or security rooms, for remote control of "In, Out, Emergency" modes.

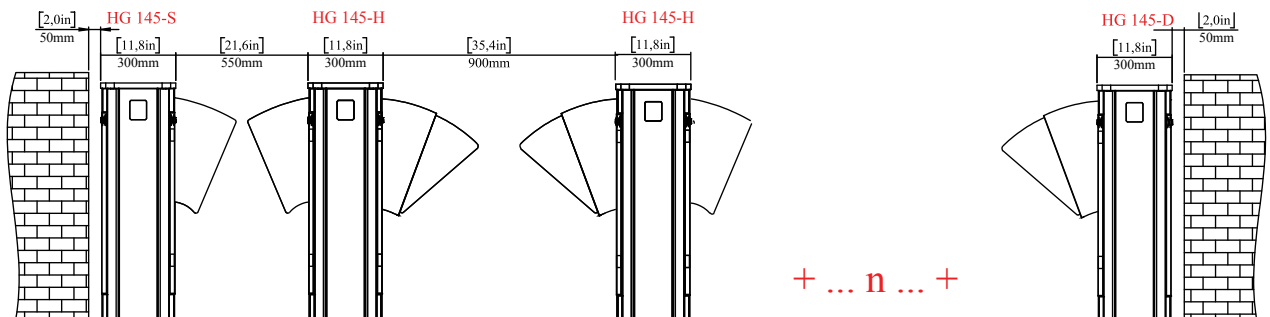
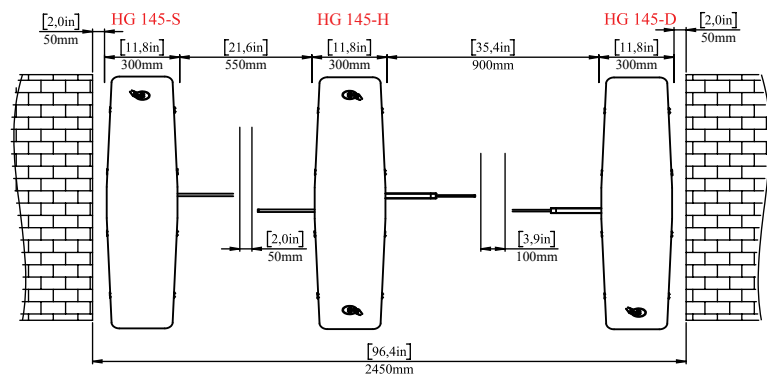
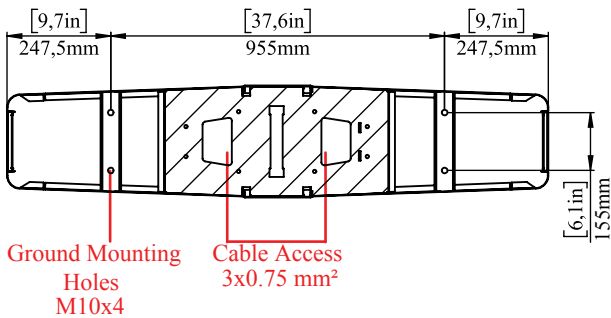
Access Control Device Adaptation Applications

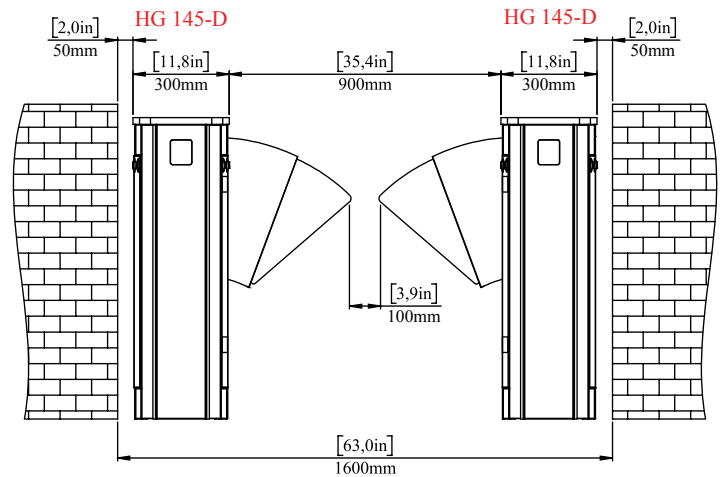
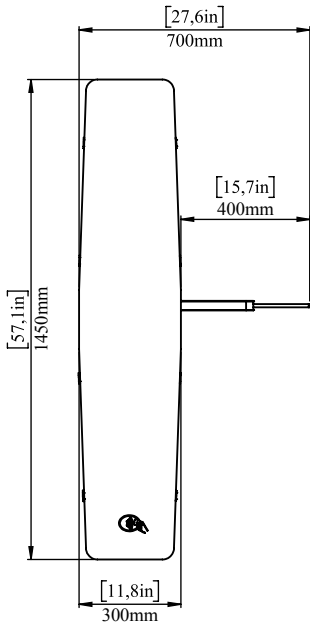
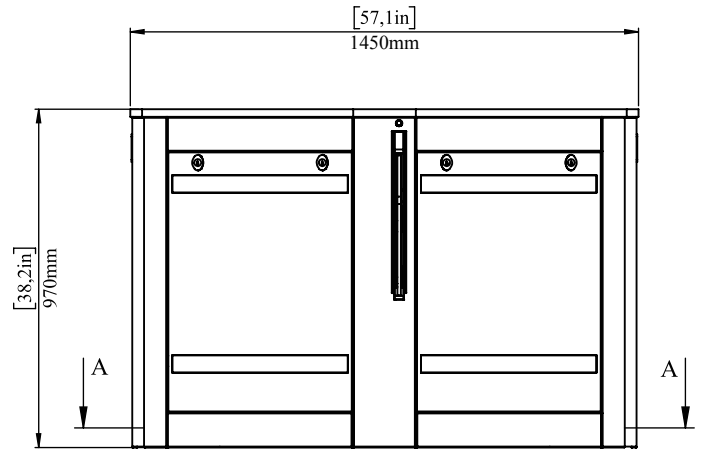
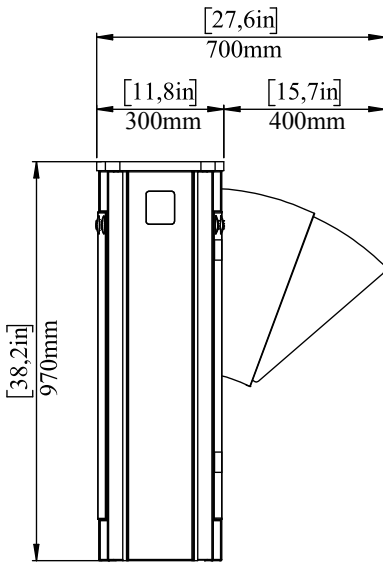


- ▶ Card Pass Readers
- ▶ Finger Print, Biometric Device
- ▶ Barcode Reader

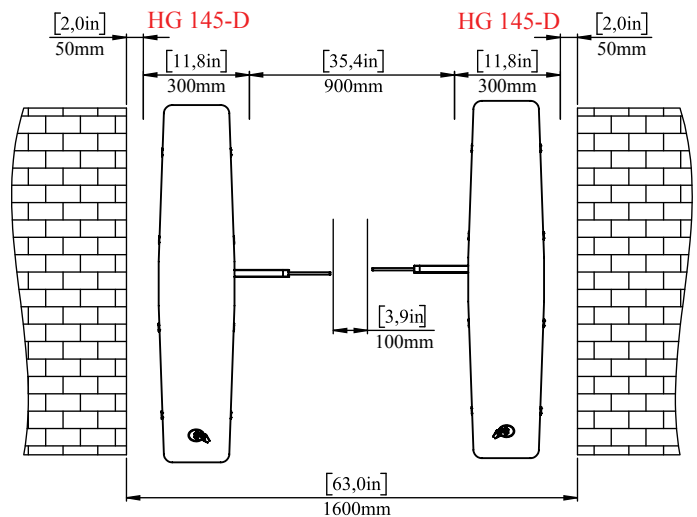
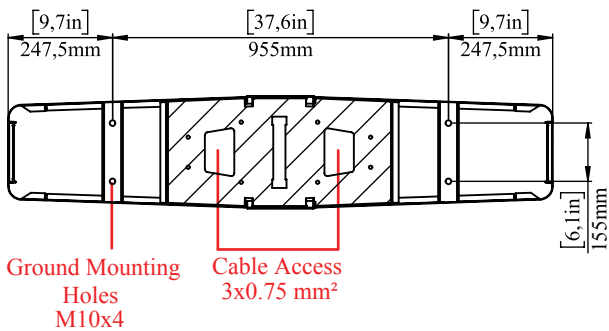


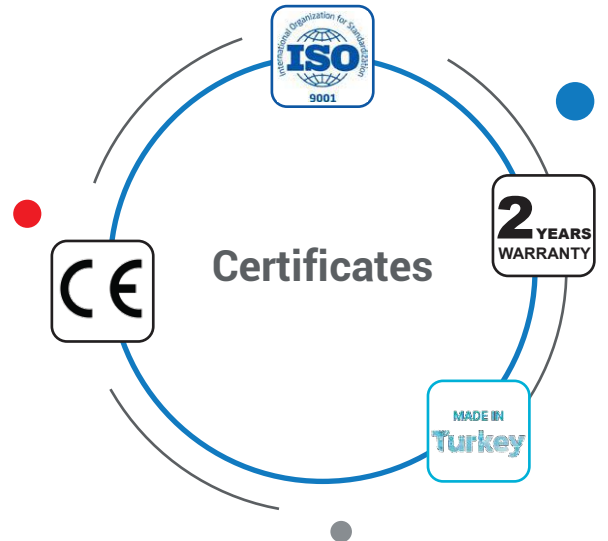
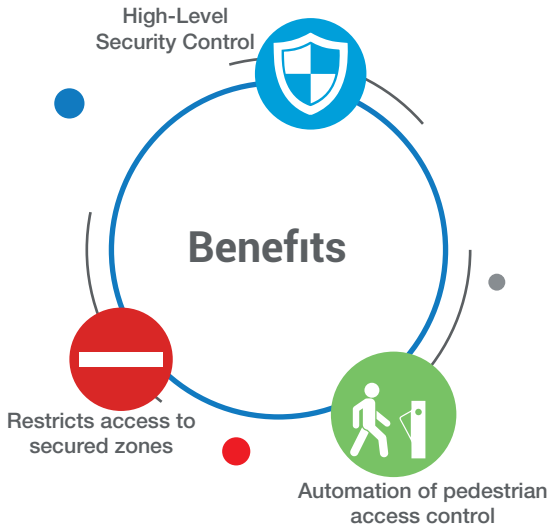
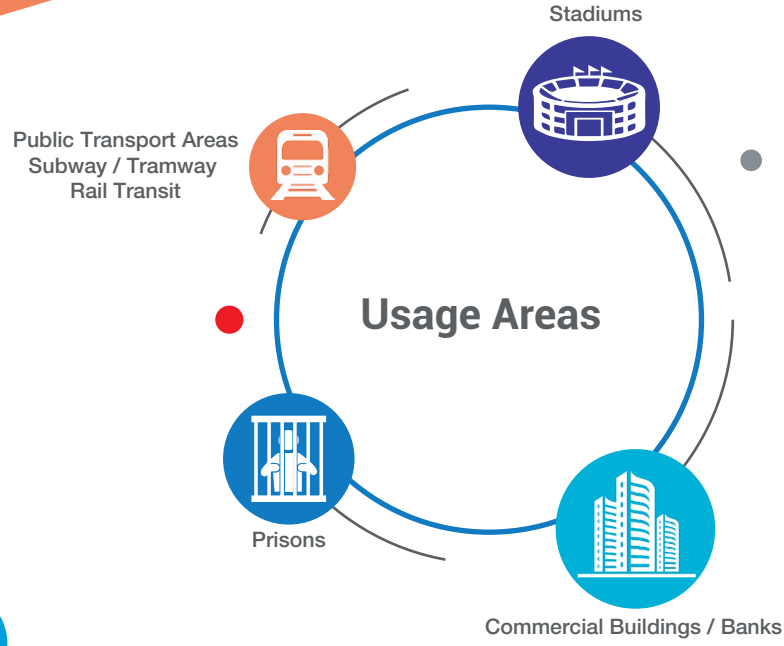
SECTION A-A





SECTION A-A





Factory

Ivedik OSB Agac Isleri San. Sit. 1333.Cad. No:25 Ostim - Yenimahalle
ANKARA - TURKEY

+90 312 395 02 88

+90 312 395 02 70

Branch

Perpa Ticaret Merkezi A Blok - Kat:7-8 No:758 Sisli - ISTANBUL - TURKEY

+90 212 320 69 79

+90 212 320 69 79

www.aktuelturnike.com.tr

export@aktuelturnike.com.tr

Local Reseller

--