



## AKT - 29

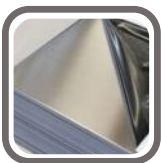
### WAIST HEIGHT TURNSTILE DOUBLE LEG

Your gate to protection...

Waist Height Turnstiles are robust products functioning indoor and provide access control in areas requiring moderate level of security.

With proven ability to handle massive crowds in places like commercial centers, schools, government and private offices or industrial buildings, Waist Height Turnstiles ensure robust solutions for crowd control.

#### Design



- Turnstile main body and tripod arms are manufactured from 304 grade stainless steel.
- Stain case design with smoothed corner.
- All other parts in turnstile are electro-galvanized against corrosion.

#### Safety



- Electrical and mechanical safety is provided in the turnstile.
- Heavy duty mechanics, controlled by reliable electronics ensure a long product life with minimum maintenance requirement.

#### Integration

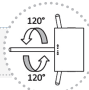



- Easy integration with all access control equipment through functional electronic control board  
( For example: RFID Device, Button Control, Finger Print and Biometric Device )






### Main Body

|                                   |   |   |
|-----------------------------------|---|---|
| Material                          | AISI- 304 - Stainless Steel - Scotch Brite ( Op. AISI-316 Quality)                                | <b>304</b>  |
| Tripod Arms                       | Q32 mm dia - Stainless Steel - Arms can be dismantled or mounted one by one separately            |  |
| Rotor Systems                     | With rotating control; tripod arms are positioned at 120 degrees                                  |  |
| Tripod Hub                        | Cast aluminium with polished finished   |   |
| Rotation Control                  | Self centering and smooth operation is handled by means of spring and hydraulic damping mechanism |   |
| Standard Dimensions ( W x L x H ) | 25 x 82 x 105 cm  |   |
| Standard Passageway Width         | 480 mm ( Arm Length : 430 mm )  |   |









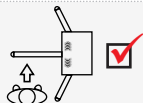
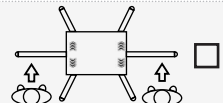
### Electrical Parameters

|                                      |                                  |   |
|--------------------------------------|----------------------------------|---|
| Operating Voltage                    | 110 - 240V AC 50/60 Hz (+/- %10) |  |
| Nominal / Max Current                | 250Ma / 850 Ma                   |   |
| Power Consumption                    | 30 W                             | <b>24V DC</b>   |
| Mean Cycles Between Failure ( MCBF ) | 1M Cycles                        |   |



### Function Working

|                        |   |   |
|------------------------|---|---|
| Control Systems        | All inputs are opto-coupler protected. Controlled by dry contact or grounding input. Compatible with all access control systems that provide dry contact or grounding outputs |  |
| Output Data (Feedback) | The systems provides dry contact, NO - Normally Open, entry - exit passage feedback by relays   |   |
| Passage Direction      | Bi-Directional operation feature. Entrance-Exit   |  |
| Time out Delay         | Adjustable ; Operating Modes ( 7 - 14 - 21 second )   |   |
| Flow Rate              | 30 Passage / Minutes / Normally Standard  |  |
| Emergency Mode         | System allows free passage in emergency mode and in case of power failure   |   |
| Indicators Features    | Entrance - Green Arrow / Exit - Red Cross   |  |
| Communication          | RS 232 ( Need PC Systems hardware serial port )   |   |
| Operating Temperature  | -20° C / + 50° C  |  |
| Operating Humidity     | 0 / + 45° C ( RH 95% not-condensing )   |   |
| IP Rating              | IP - 54   |  |
| Working Environment    | Indoor  |   |

|                         |   |
|-------------------------|---|
| Number of Passage Lanes | Single Unit  Double Unit  |
|-------------------------|---|

### Operation Modes





► Card Reader Adaptation Solutions



► Fingerprint Reader Adaptation Solutions



► Barcode Reader Adaptation Solutions



► Handprint Reader Adaptation Solutions

### Installation Platform



- Ease of modular installation with anti-skid bottom platform.
- Ease of installation in difficult ground conditions.
- Front and rear ramp system for easy access.

### Passage Tracking Sensors



- Sensors can be deployed on the turnstile in accordance with required functions such as real-time passage signal or unauthorized passage alarm.
- 2 Sensors for one passage is available for bi-directional operation.

### Protection Case



- For the outdoor conditions, a special protective cover can be produced in a transparent structure that is suitable for the size of the turnstile.

**Button Control Unit - Independent**



**BT - 1**



**BT - 2**

- ▶ Provides remote control of “Entry - Exit - Emergency” modes of security personnel and consultation areas.
- ▶ BT-1 and BT-2 type options.

**Receiver Unit / Remote Control**



- ▶ 1 Unit, working with 23V type 12V battery.
- ▶ 433.920MHz working frequency.  
( Legal ISM band for Turkey and Europe )
- ▶ 2-button, PT2260 code integration;  
Maximum output power of 10 mW.

**Digital Counter**



- ▶ H:24 X W:48 X D:48.5 mm 8-digit segment display is available.
- ▶ To be able to keep the memory of a power failure, be able to count on dry contact and voltage, reset capability.
- ▶ Possibility to reset from front face and reset input;  
10 years battery life

**Separator**

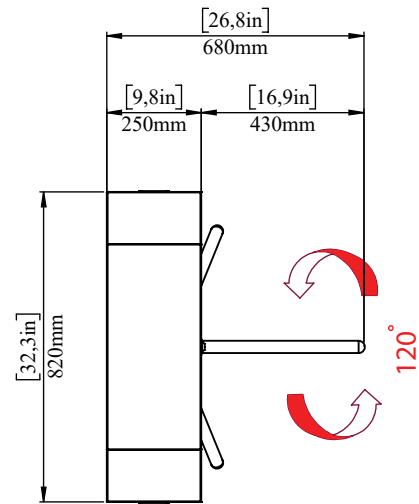
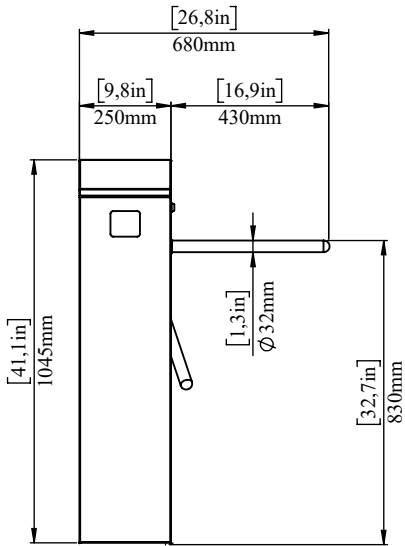
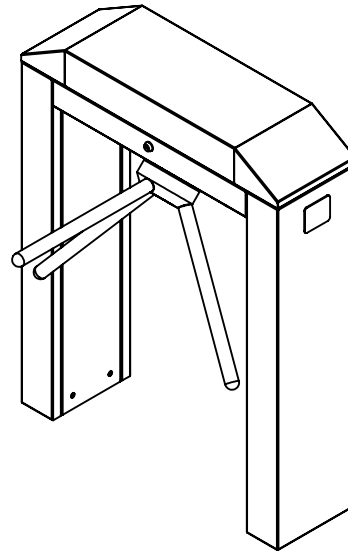
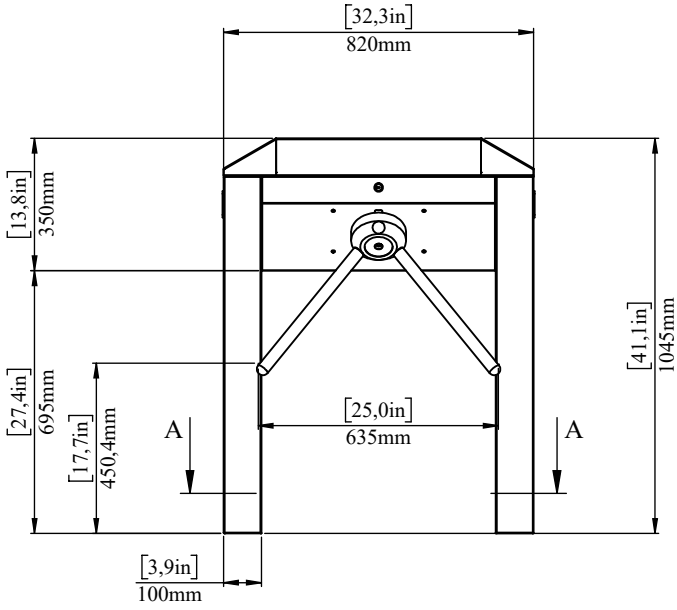


- ▶ The main post and the bottom base to which the intermediate side lath pipes and main posts are connected are made of 304 quality stainless steel.
- ▶ Ability to shorten optional intermediate pipes.
- ▶ Spacebar of the central portion, optionally, glass, plexiglass, to close with dekota types of material properties are available.

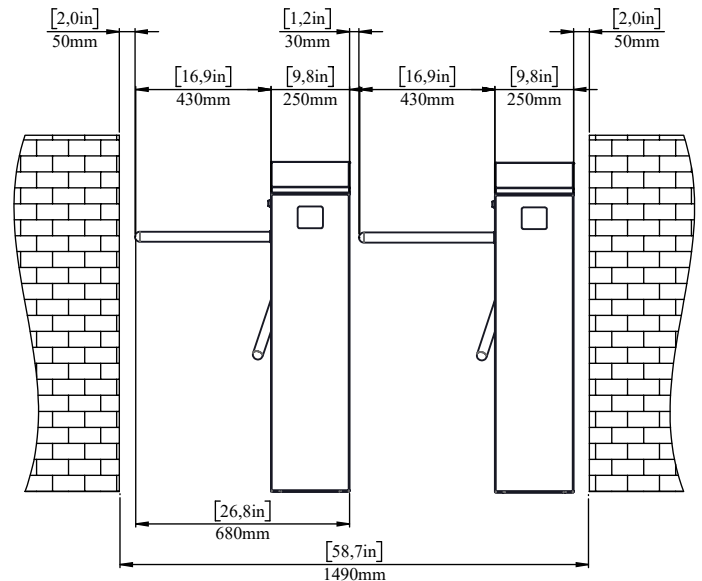
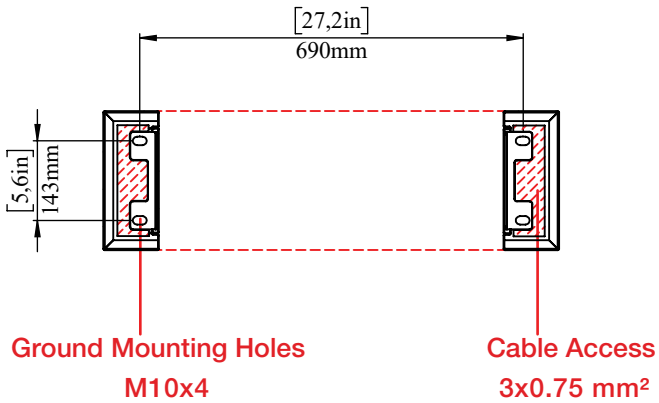
**Thermostat**



- ▶ It stabilizes the efficiency of the working conditions of the mechanical and electronic structure inside the turnstile in extremely cold environments.



**SECTION A-A**



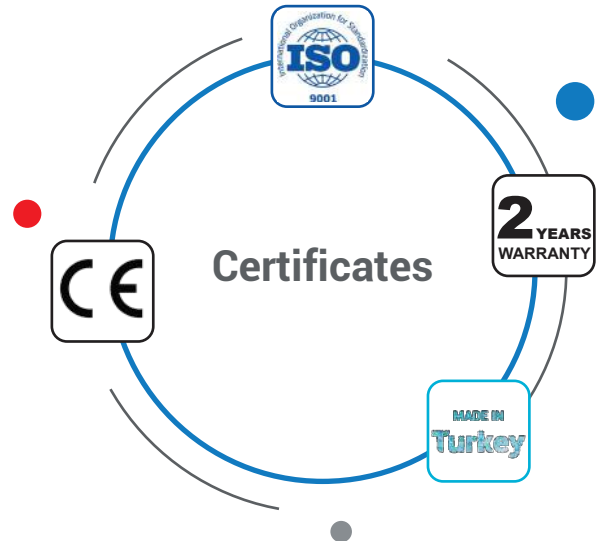
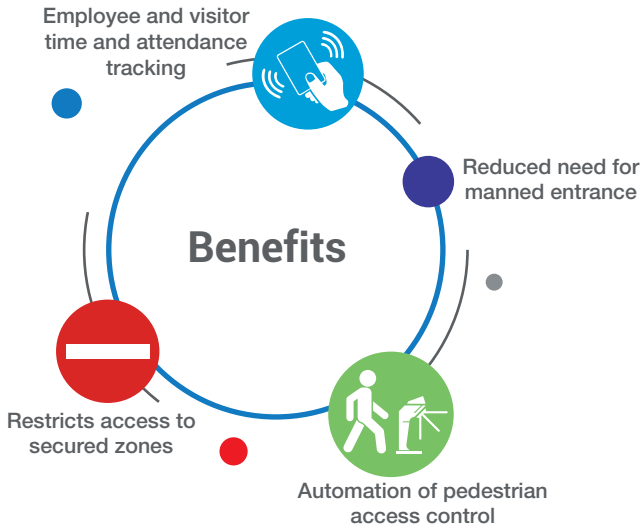
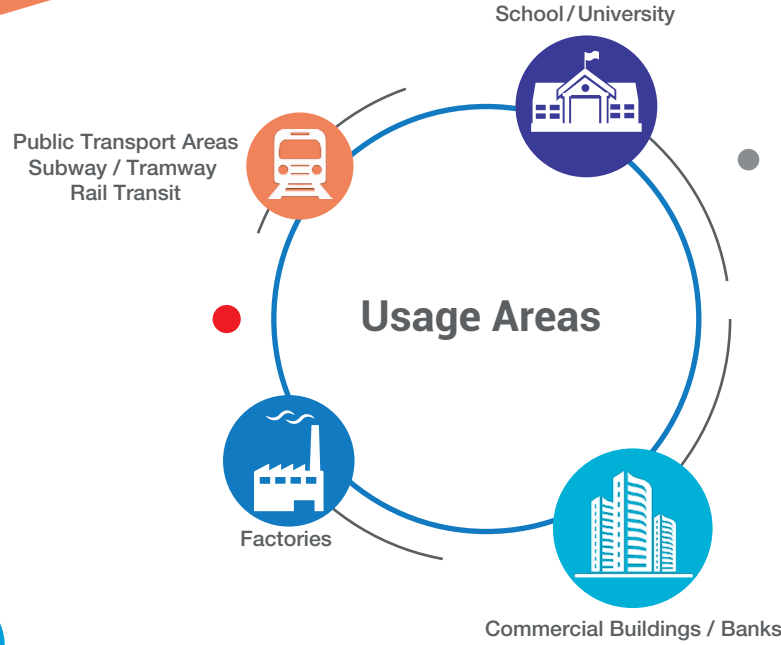




# Aktuel®

## T U R N S T I L E

Your Gate to Protection...



### Factory

Ivedik OSB Agac Isleri San. Sit. 1333.Cad. No:25 Ostim - Yenimahalle  
ANKARA - TURKEY

+90 312 395 02 88

+90 312 395 02 70

### Branch

Perpa Ticaret Merkezi A Blok - Kat:7-8 No:758 Sisli - ISTANBUL - TURKEY

+90 212 320 69 79

+90 212 320 69 79

www.aktuelturnike.com

export@aktuelturnike.com.tr

Local Reseller